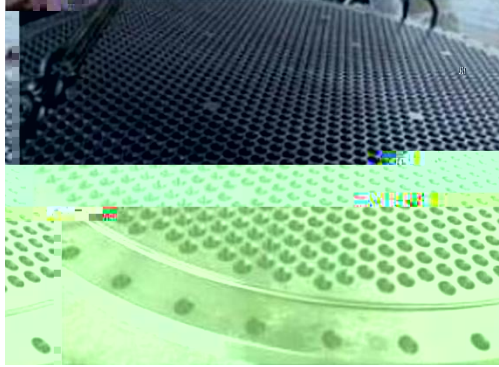


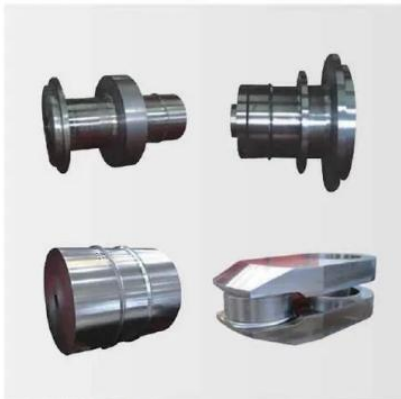
1



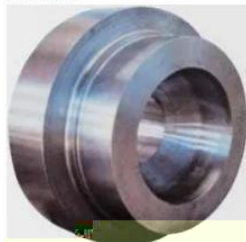
2



船用艏轴
Marine stern shaft



船用低速柴油机曲轴零部件锻件
Forgings for crankshaft components of low-speed marine diesel engines

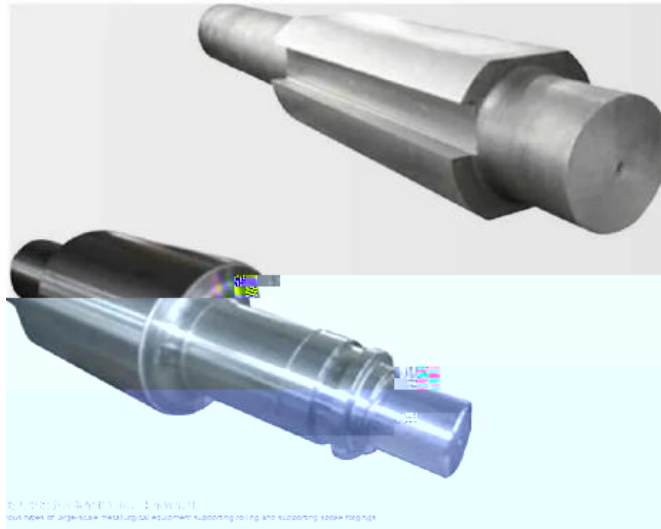


气缸盖
Cylinder head



船用柴油机连杆
Connecting rods for marine diesel engines

3



4

